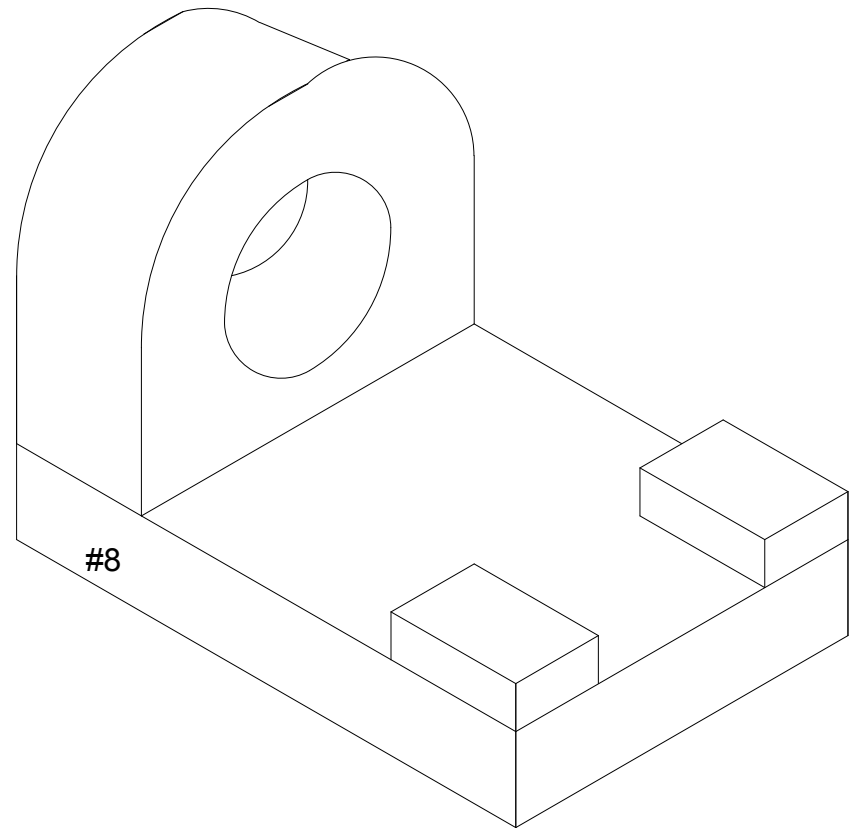


#6



#8



STEVENSON HIGH SCHOOL
TECHNOLOGY EDUCATION DEPARTMENT
TECHNICAL DRAWING PROGRAM

DRN BY: Steven Mitchell

DATE: 08.11.11

SCALE: 1::1

Practice Sketch

1

1